



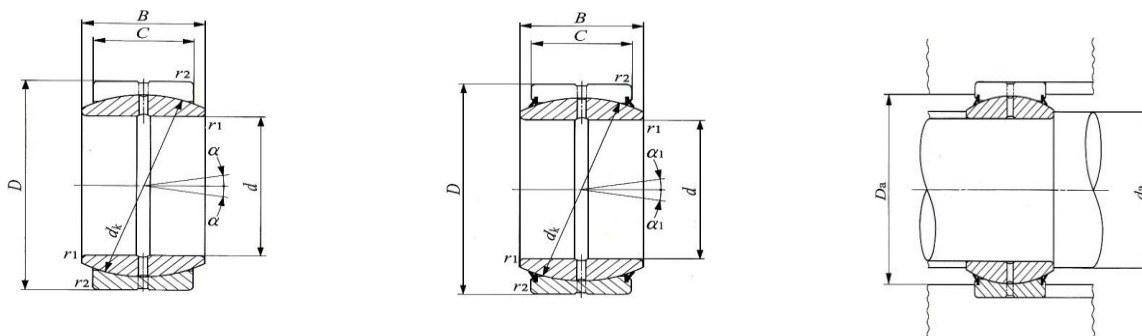
Radial spherical plain bearings



Dimension table . Dimensions in mm

Identification number		Mass (Ref.) kg	Boundary dimensions						
Without seals	With seals		d	D	B	C	d _k	r _{1s min} (1)	r _{2s min} (1)
GE 10 DO	-	0.012	10	19	9	6	16	0.3	0.3
GE 12 DO	GE 12 DO-2RS	0.017	12	22	10	7	18	0.3	0.3
GE 15 DO	GE 15 DO-2RS	0.032	15	26	12	9	22	0.3	0.3
GE 17 DO	GE 17 DO-2RS	0.049	17	30	14	10	25	0.3	0.3
GE 20 DO	GE 20 DO-2RS	0.065	20	35	16	12	29	0.3	0.3
GE 25 DO	GE 25 DO-2RS	0.115	25	42	20	16	35.5	0.6	0.6
GE 30 DO	GE 30 DO-2RS	0.160	30	47	22	18	40.7	0.6	0.6
GE 35 DO	GE 35 DO-2RS	0.258	35	55	25	20	47	0.6	1
GE 40 DO	GE 40 DO-2RS	0.315	40	62	28	22	53	0.6	1
GE 45 DO	GE 45 DO-2RS	0.413	45	68	32	25	60	0.6	1
GE 50 DO	GE 50 DO-2RS	0.560	50	75	35	28	66	0.6	1
GE 60 DO	GE 60 DO-2RS	1.10	60	90	44	36	80	1	1
GE 70 DO	GE 70 DO-2RS	1.54	70	105	49	40	92	1	1
GE 80 DO	GE 80 DO-2RS	2.29	80	120	55	45	105	1	1
GE 90 DO	GE 90 DO-2RS	2.82	90	130	60	50	115	1	1
GE 100 DO	GE 100 DO-2RS	4.43	100	150	70	55	130	1	1
GE 110 DO	GE 110 DO-2RS	4.94	110	160	70	55	140	1	1
GE 120 DO	GE 120 DO-2RS	8.12	120	180	85	70	160	1	1
GE 140 DO	GE 140 DO-2RS	11.4	140	210	90	70	180	1	1
GE 160 DO	GE 160 DO-2RS	14.4	160	230	105	80	200	1	1
GE 180 DO	GE 180 DO-2RS	18.9	180	260	105	80	225	1.1	1.1
GE 200 DO	GE 200 DO-2RS	28.1	200	290	130	100	250	1.1	1.1
GE 220 DO	GE 220 DO-2RS	36.1	220	320	135	100	275	1.1	1.1
GE 240 DO	GE 240 DO-2RS	40.4	240	340	140	100	300	1.1	1.1
GE 260 DO	GE 260 DO-2RS	52.0	260	370	150	110	325	1.1	1.1
GE 280 DO	GE 280 DO-2RS	66.0	280	400	155	120	350	1.1	1.1
GE 300 DO	GE 300 DO-2RS	76.0	300	430	165	120	375	1.1	1.1

- Outer ring with single split in axial direction.
- Lubrication groove and holes in the outer and inner rings of type DO.
- Outer ring of type - 2RS with two seals.
- Both outer and inner rings are properly phosphorlylate - treated.



Permissible titing angle degree		Mounting dimensions (mm)				Basic load rating		Shaft. dia.
α	α_1	d_a		D_a		Dyn. C_d N	Stat. C_s N	mm
		max ⁽²⁾	min	max	min			
12	-	13	12.5	16.5	15.5	8 939	53 675	10
11	-	15	14.5	19.5	17	11 780	70 395	12
8	5	18	17.5	23.5	22.5	18 430	111 150	15
10	7	20.5	19.5	27.5	26	23 275	139 650	17
9	6	24	22.5	32.5	30.5	32 395	194 750	20
7	4	29	29	37.5	37	52 915	317 300	25
6	4	34	34	42.5	41.5	68 210	409 450	30
6	4	39.5	39.5	49.5	48	87 590	525 350	35
7	4	45	44.5	56.5	54.5	10 8300	651 700	40
7	4	50.5	49.5	62.5	60	13 9650	838 850	45
6	4	56	54.5	69.5	66	17 1950	1 035 500	50
6	3	66.5	65.5	84.5	79	267 900	1 605 500	60
6	4	77.5	75.5	99.5	91	342 950	2 061 500	70
6	4	89	85.5	114.5	103	439 850	2 641 000	80
5	3	98	95.5	124.5	112	535 800	3 211 000	90
7	5	109.5	105.5	144.5	127	665 950	3 999 500	100
6	4	121	115.5	154.5	138	717 250	4 303 500	110
6	4	135.5	125.5	174.5	154	1 045 000	6 260 500	120
7	5	155.5	145.5	204.5	176	1 178 000	7 039 500	140
8	6	170	165.5	224.5	195	1 491 500	8 939 500	160
6	5	199	187	253	221	1 681 500	10 070 000	180
7	6	213.5	207	283	244	2 327 500	13 965 000	200
8	6	239.5	227	313	269	2 565 000	15 390 000	220
8	6	265	247	333	296	2 793 000	16 815 000	240
7	6	288	267	363	320	3 334 500	19 950 000	260
6	5	313.5	287	393	345	3 914 000	23 465 000	280
7	6	336.5	307	423	371	4 189 500	25 175 000	300



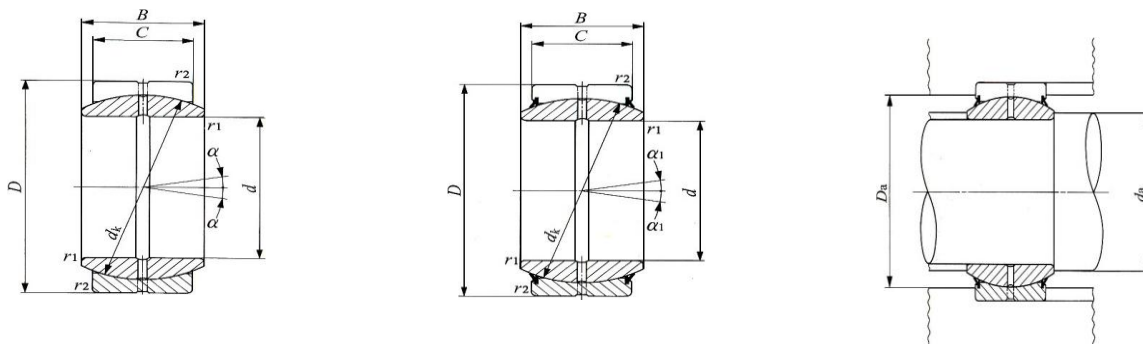
Radial spherical plain bearings



Dimension table . Dimensions in mm

Identification number		Mass (Ref.) kg	Boundary dimensions						
Without seals	With seals		d	D	B	C	d _k	r _{1s min} ⁽¹⁾	r _{2s min} ⁽¹⁾
GE 10 FO	-	0.022	10	22	12	7	18	0.3	0.3
GE 12 FO	-	0.041	12	26	15	9	22	0.3	0.3
GE 15 FO	GE 15 FO-2RS	0.059	15	30	16	10	25	0.3	0.3
GE 17 FO	GE 17 FO-2RS	0.083	17	35	20	12	29	0.3	0.3
GE 20 FO	GE 20 FO-2RS	0.155	20	42	25	16	35.5	0.3	0.6
GE 25 FO	GE 25 FO-2RS	0.215	25	47	28	18	40.7	0.6	0.6
GE 30 FO	GE 30 FO-2RS	0.330	30	55	32	20	47	0.6	1
GE 35 FO	GE 35 FO-2RS	0.400	35	62	35	22	53	0.6	1
GE 40 FO	GE 40 FO-2RS	0.515	40	68	40	25	60	0.6	1
GE 45 FO	GE 45 FO-2RS	0.660	45	75	43	28	66	0.6	1
GE 50 FO	GE 50 FO-2RS	1.50	50	90	56	36	80	0.6	1
GE 60 FO	GE 60 FO-2RS	2.05	60	105	63	40	92	1	1
GE 70 FO	GE 70 FO-2RS	3.00	70	120	70	45	105	1	1
GE 80 FO	GE 80 FO-2RS	3.60	80	130	75	50	115	1	1
GE 90 FO	GE 90 FO-2RS	5.41	90	150	85	55	130	1	1
GE 100 FO	GE 100 FO-2RS	6.15	100	160	85	55	140	1	1
GE 110 FO	GE 110 FO-2RS	9.70	110	180	100	70	160	1	1
GE 120 FO	GE 120 FO-2RS	15.5	120	210	115	70	180	1	1
GE 140 FO	GE 140 FO-2RS	19.2	140	230	130	80	200	1	1
GE 160 FO	GE 160 FO-2RS	25.4	160	260	135	80	225	1	1.1
GE 180 FO	GE 180 FO-2RS	34.7	180	290	155	100	250	1.1	1.1
GE 200 FO	GE 200 FO-2RS	43.8	200	320	165	100	275	1.1	1.1
GE 220 FO	GE 220 FO-2RS	51.3	220	340	175	100	300	1.1	1.1
GE 240 FO	GE 240 FO-2RS	66.1	240	370	190	110	325	1.1	1.1
GE 260 FO	GE 260 FO-2RS	81.8	260	400	205	120	350	1.1	1.1
GE 280 FO	GE 280 FO-2RS	97.4	280	430	210	120	375	1.1	1.1

- Outer ring with single split in axial direction.
- Lubrication groove and holes in the outer and inner rings of type FO.
- Outer ring of type - 2RS with two seals.
- Both outer and inner rings are properly phosphorlylate - treated.



Permissible titing angle degree		Mounting dimensions (mm)				Basic load rating		Shaft. dia. mm
α	α_1	d_a		D_a		Dyn. C_d N	Stat. C_s N	
		max(2)	min	max	min			
18	-	13	12.5	19.5	17	11 780	70 395	10
18	-	16	14.5	23.5	21	18 430	111 150	12
16	13	19	17.5	27.5	26	23 275	139 650	15
19	16	21	19.5	32.5	30.5	32 395	194 750	17
17	16	25	22.5	37.5	37	52 915	317 300	20
17	15	29.5	29.5	42.5	41.5	68 210	409 450	25
17	16	34	34	49.5	48	87 590	525 350	30
16	15	39.5	39.5	56.5	54.5	108 300	651 700	35
17	14	44.5	44.5	62.5	60	139 650	838 850	40
15	13	50	49.5	69.5	66	171 950	1 035 500	45
17	16	57	54.5	84.5	79	267 900	1 605 500	50
17	15	67	65.5	99.5	91	342 950	2 061 500	60
16	14	78	75.5	114.5	103	439 850	2 641 000	70
14	13	87	85.5	124.5	112	535 800	3 211 000	80
15	14	98	95.5	144.5	127	665 950	3 999 500	90
14	12	111	105.5	154.5	138	717 250	4 303 500	100
12	11	124.5	115.5	174.5	154	1 045 000	6 260 500	110
16	15	138.5	125.5	204.5	176	1 178 000	7 039 500	120
16	15	152	145.5	224.5	195	1 491 500	8 939 500	140
16	14	180	165.5	253	221	1 681 500	10 070 000	160
14	13	196	187	283	244	2 327 500	13 965 000	180
15	14	220	207	313	269	2 565 000	15 390 000	200
16	14	243.5	227	333	296	2 793 000	16 815 000	220
15	14	263.5	247	363	320	3 334 500	19 950 000	240
15	14	283.5	267	393	345	3 914 000	23 465 000	260
15	14	310.5	287	423	371	4 189 500	25 175 000	280