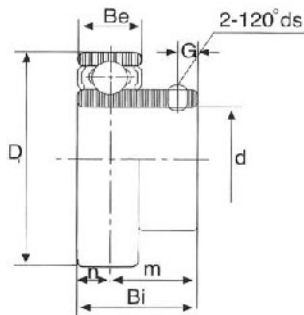
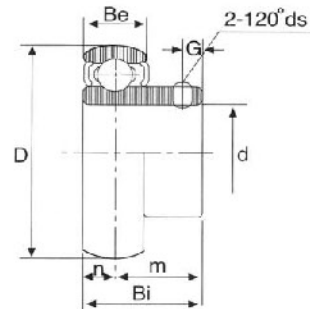




Radial insert ball bearing with screws in inner ring



•CSB200 (Light Duty)
Cylindrical O.D.



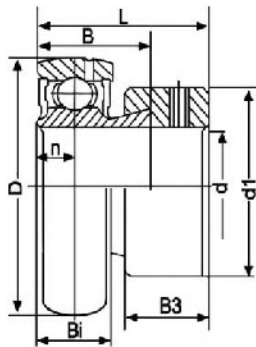
•SB200 (Light Duty)
Spherical O.D.

Dimension table . Dimensions in mm

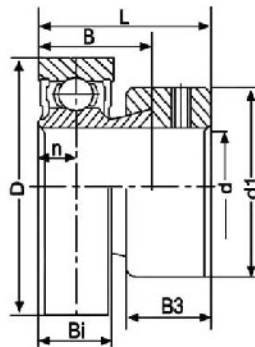
Bearing No.	Shaft d (mm)	D	Bi	Be	n	m	G	ds (mm)	Basic dynamic Load ratings (N)	Basic static Load ratings (N)	weight (kg)
SB 201 CSB 201	12	40	22	12	6	16	4	M5x0.8	7 360	4 480	0.09
SB 202 CSB 202	15	40	22	12	6	16	4.9	M5x0.8	7 360	4 480	0.08
SB 203 CSB 203	17	40	22	12	6	16	4.9	M5x0.8	7 360	4 480	0.07
SB 204 CSB 204	20	47	25	14	7	18	5	M6x1	9 880	6 200	0.12
SB 205 CSB 205	25	52	27	15	7.5	19.5	5.5	M6x1	10 780	6 980	0.18
SB 206 CSB 206	30	62	30	16	8	22	5.9	M6x1	14 970	10 040	0.26
SB 207 CSB 207	35	72	32	17	8.5	23.5	8	M8x1	19 750	13 670	0.43
SB 208 CSB 208	40	80	34	18	9	25	8	M8x1	22 710	15 940	0.60
SB 209 CSB 209	45	85	36	19	9.5	31	8	M8x1	24 360	17 710	0.80
SB 210 CSB 210	50	90	38	20	10	32.6	10	M10x1.25	26 980	19 840	0.83



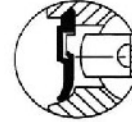
Insert ball bearing - inner ring extended on one side with eccentric locking collar



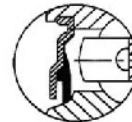
• SA200 (Light Duty)
Spherical O.D.



• CSA200 (Light Duty)
Cylindrical O.D.



2RS TYPE SEAL



H TYPE SEAL

Dimension table . Dimensions in mm

Bearing No.	Shaft Dia		Bearing Dimensions							Eccentric Collar	Basic dynamic Load ratings (N)	Basic static Load ratings (N)	weight (kg)
	d (mm)	d (in)	D	B	L	n	Bi	B3	d1				
SA 203 CSA 203-11	17	11/16	40	19.1	28.6	6	12	13.5	28.6	A203	7 350	4 480	0.13
SA 204 CSA 204-12	20	3/4	47	21.5	31	7	14	13.5	33.3	A204	9 880	6 200	0.15
SA 205 CSA 205-14 205-15 205-16	25	7/8 15/16 1	52	27	31.5	7.5	15	13.5	38.1	A205	10 780	6 980	0.22
SA 206 CSA 206-17 206-18 206-19 206-20	30	1-1/16 1-1/8 1-3/16 1-1/4	62	23.8	35.7	8	16	15.9	44.5	A206	14 970	10 040	0.30
SA 207 CSA 207-20 207-21 207-22 207-23	35	1-1/4 1-5/16 1-3/8 1-7/16	72	25.4	38.9	8.5	17	17.5	55.6	A207	19 750	13 670	0.50
SA 208 CSA 208-24 208-25	40	1-1/2 1-9/16	80	30.2	43.7	9	18	18.3	60.3	A208	22 710	15 940	0.67
SA 209 CSA 209-26 209-27 209-28	45	1-5/8 1-11/16 1-3/4	85	30.2	43.7	9.5	19	18.3	63.5	A209	24 360	17 710	0.72
SA 210 CSA 210-30 210-31 210-32	50	1-7/8 1-15/16 2	90	30.2	43.7	10	20	18.3	69.9	A210	26 980	19 840	0.86