



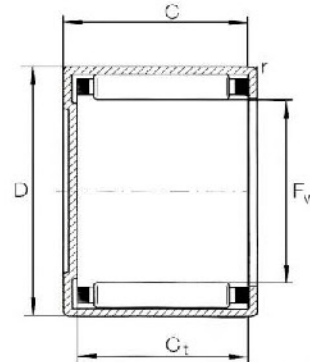
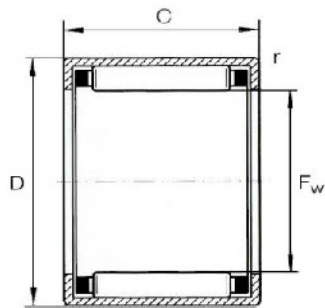
Drawn cup needle roller bearings



Dimension table . Dimensions in mm

Shaft diameter	With open ends	Mass ≈ g	With Colsed end	Mass ≈ g	Dimensions				
	Designation		Designation		F _w	D	C	C _t	r
							-0.3	min.	min.
3	HK 0306 TN	1	BK 0306 TN	1	3	6.5	6	5.2	0.3
4	HK 0408	2	BK 0408	2.1	4	8	8	6.4	0.3
5	HK 0509	2	BK 0509	2.1	5	9	9	7.4	0.4
6	HK 0608	2.1	-	-	6	10	8	-	0.4
	HK 0609	2.5	BK 0609	2.6	6	10	9	7.4	0.4
7	HK 0709	2.6	BK 0709	2.9	7	11	9	7.4	0.4
8	HK 0808	2.7	BK 0808	3	8	12	8	6.4	0.4
	HK 0810	3	BK 0810	3.4	8	12	10	8.4	0.4
9	HK 0908	3	-	-	9	13	8	-	0.4
	HK 0910	4	BK 0910	4.3	9	13	10	8.4	0.4
	HK 0912	4.6	BK 0912	4.9	9	13	12	10.4	0.4
10	HK 1010	4.1	BK 1010	4.3	10	14	10	8.4	0.4
	HK 1012	4.8	BK 1012	5	10	14	12	10.4	0.4
	HK 1015	6	BK 1015	6.2	10	14	15	13.4	0.4
12	HK 1210	4.6	BK 1210	5.2	12	16	10	8.4	0.4
	HK 1212	9	BK 1212	10	12	18	12	9.3	0.8
13	HK 1312	10	BK 1312	11	13	19	12	9.3	0.8
14	HK 1412	10.5	BK 1412	12	14	20	12	9.3	0.8
15	HK 1512	11	BK 1512	13	15	21	12	9.3	0.8
	HK 1516	15	BK 1516	17	15	21	16	13.3	0.8
	HK 1522	20	BK 1522	-	15	21	22	-	0.8
16	HK 1612	12	BK 1612	14	16	22	12	9.3	0.8
	HK 1616	16	BK 1616	18	16	22	16	13.3	0.8
	HK 1622	22	BK 1622	24	16	22	22	19.3	0.8
17	HK 1712	12	BK 1712	-	17	23	12	-	0.8
18	HK 1812	13	BK 1812	15	18	24	12	9.3	0.8
	HK 1816	18	BK 1816	20	18	24	16	13.3	0.8

- TN = Plastic cage, permissible operating temperature : +120°C (Continuous)
- Not available with lubrication hole.
- Double row with lubrication hole as standard.

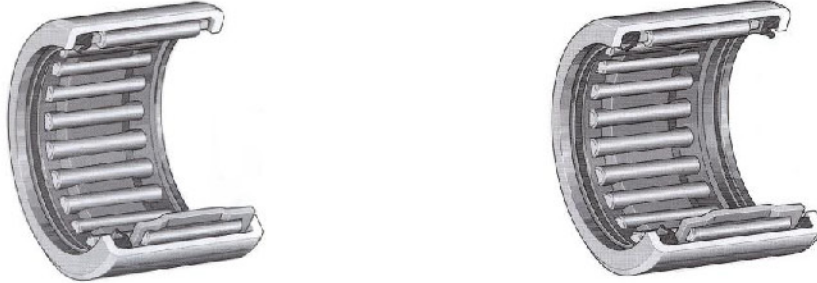


Dimension table . Dimensions in mm

Basic load ratings		Fatigue limit load P_u N	Limiting speed n_G min^{-1}	Reference speed n_B min^{-1}	Suitable inner rings ¹⁾ The following items must be ordered separately:		Shaft diameter
dynamic C N	static C_o N				LR Designation	IR Designation	
1 160	798	80	43 700	61 750	-	-	3
1 690	1 244	138	38 950	47 500	-	-	4
2 280	1 890	223	36 100	39 900	-	-	5
1 920	1 567	171	33 250	34 200	-	-	6
2 700	2 470	289	33 250	33 250	-	-	7
2 940	2 802	332	29 450	29 450	-	-	8
2 610	2 470	270	26 600	25 650	-	-	9
3 610	3 752	465	26 600	25 650	-	IR 5X8X12	10
3 370	3 562	408	23 750	21 850	-	-	11
4 030	4 417	551	23 750	22 800	-	-	12
5 030	5 985	769	23 750	21 850	-	IR 6X9X12	13
4 180	4 845	598	21 850	20 900	LR 7X10X10.5	IR 7X10X10.5	14
5 220	6 460	836	21 850	19 950	-	IR 7X10X12	15
6 460	8 360	1 016	21 850	19 950	-	IR 7X10X16	16
4 700	5 890	731	19 000	17 100	LR 8X12X10.5	IR 8X12X10.5	17
6 170	6 935	807	18 050	17 100	LR 8X12X12.5	IR 8X12X12.5	18
6 460	7 505	874	17 100	16 150	LR 10X13X12.5	IR 10X13X12.5	19
6 740	8 075	940	15 200	15 200	-	IR 10X14X13	20
7 500	8 930	1 054	15 200	13 300	LR 12X15X12.5	IR 12X15X12.5	21
9 970	13 680	1 662	15 200	13 300	LR 12X15X16.5	IR 12X15X16.5	22
12 730	18 525	2 175	14 250	13 300	LR 12X15X22.5	IR 12X15X22.5	23
7 220	9 215	1 073	14 250	13 300	-	IR 12X16X13	24
10 350	14 535	1 776	14 250	12 350	-	IR 12X16X16	25
12 440	18 430	2 156	13 300	13 300	-	IR 12X16X22	26
7 500	9 785	1 140	12 350	12 350	-	-	27
7 690	10 355	1 206	12 350	11 400	LR 15X18X12.5	-	28
11 020	16 435	2 004	11 400	11 400	LR 15X18X16.5	IR 15X18X16.5	29

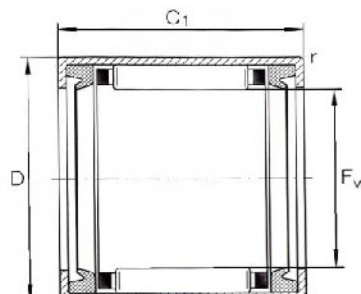
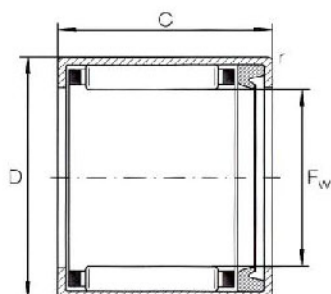


Drawn cup needle roller bearings



Dimension table . Dimensions in mm

Shaft diameter	Drawn cup needle roller bearing sealed on one side Designation	Mass ≈ g	Drawn cup needle roller bearing sealed on one side Designation	Mass ≈ g	Drawn cup needle roller bearing sealed on one side Designation	Mass ≈ g	Dimensions			
							F _w	D	C -0.3	C ₁ -0.3
8	HK 0810 RS	3	HK 0812 2RS	3.3	-	-	8	12	10	12
10	HK 1012 RS	4.2	HK 1014 2RS	4.6	-	-	10	14	12	14
12	HK 1214 RS	10	HK 1216 2RS	11	-	-	12	18	14	16
14	HK 1414 RS	12	HK 1416 2RS	13	BK 1414 RS	13	14	20	14	16
15	HK 1514 RS	12	HK 1516 2RS	15	-	-	15	21	14	16
	HK 1518 RS	16	HK 1520 2RS	18	-	-	15	21	18	20
16	HK 1614 RS	13	HK 1616 2RS	14	BK 1614 RS	15	16	22	14	16
	-	-	HK 1620 2RS	18	-	-	16	22	-	20
18	HK 1814 RS	14	HK 1816 2RS	15	-	-	18	24	14	16
20	-	-	HK 2016 2RS	18	-	-	20	26	-	16
	HK 2018 RS	21	HK 2020 2RS	23	BK 2018 RS	24	20	26	18	20
22	HK 2214 RS	16	HK 2216 2RS	18	-	-	22	28	14	16
	HK 2218 RS	24	HK 2220 2RS	26	-	-	22	28	18	20
25	-	-	HK 2516 2RS	27	-	-	25	32	-	16
	HK 2518 RS	29	HK 2520 2RS	31	BK 2518 RS	34	25	32	18	20
	-	-	HK 2524 2RS	40	-	-	25	32	-	24
	-	-	HK 2530 2RS	47	-	-	25	32	-	30
28	HK 2818 RS	31	HK 2820 2RS	34	-	-	28	35	18	20
30	-	-	HK 3016 2RS	31	-	-	30	37	-	16
	HK 3018 RS	37	HK 3020 2RS	36	-	-	30	37	18	20
	-	-	HK 3024 2RS	44	-	-	30	37	-	24
35	-	-	HK 3516 2RS	32	-	-	35	42	-	16
	HK 3518 RS	39	HK 3520 2RS	41	-	-	35	42	18	20
40	-	-	HK 4016 2RS	37	-	-	40	47	-	16
	HK 4018 RS	45	HK 4020 2RS	48	-	-	40	47	18	20
45	HK 4518 RS	50	HK 4520 2RS	54	-	-	45	52	18	20
50	HK 5022 RS	76	HK 5024 2RS	81	-	-	50	58	22	24



Dimension table . Dimensions in mm

C _t	r	Basic load ratings		Fatigue load P _u	Limiting speed ¹⁾ n _G grease	Suitable inner rings ²⁾			Shaft diameter
		dynamic C _o	static C _o			The following items must be ordered separately: for HK..RS and HK..2RS		for BK..RS	
min	min	N	N	N	min ⁻¹	LR Designation	IR Designation	LR, IR Designation	
-	0.4	2 612	2 470	270	19 000	-	-	-	8
-	0.4	4 180	4 845	598	16 150	-	-	-	10
-	0.8	6 175	6 935	807	13 300	-	-	-	12
-	0.8	6 745	8 075	940	11 400	-	-	-	14
-	0.8	7 410	9 310	1 092	10 450	LR 12X15X16.5	IR 12X15X16.5	LR 12X15X12.5	15
-	0.8	9 975	13 680	1 662	10 450	-	-	-	
-	0.8	7 220	9 215	1 073	10 450	-	IR 12X16X20	IR 12X16X13	16
-	0.8	10 355	14 535	1 776	10 450	-	-	-	
-	0.8	7 695	10 355	1 206	9 025	LR 15X18X16.5	IR 15X18X16.5	-	18
-	0.8	8 170	11 495	1 339	8 075	LR 17X20X16.5	IR 17X20X16.5	-	20
-	0.8	12 065	19 095	2 346	8 075	LR 17X20X20.5	IR 17X20X20.5	LR 17X20X16.5	
-	0.8	8 645	12 730	1 482	7 600	-	IR 17X22X16	-	22
-	0.8	12 730	20 995	2 565	7 600	-	IR 17X22X23	-	
-	0.8	10 450	14 440	1 719	6 650	LR 20X25X16.5	IR 20X25X17	-	25
-	0.8	14 820	22 800	2 802	6 650	LR 20X25X20.5	IR 20X25X20.5	LR 20X25X16.5	
-	0.8	18 905	31 350	3 705	6 650	-	-	-	
-	0.8	24 225	42 750	5 415	6 650	-	IR 20X25X30	-	
-	0.8	15 580	25 175	3 087	5 700	LR 22X28X20.5	IR 22X28X20.5	-	28
-	0.8	11 495	17 290	2 061	5 700	LR 25X30X16.5	IR 25X30X17	-	30
-	0.8	16 340	27 550	3 325	5 700	LR 25X30X20.5	IR 25X30X20.5	-	
-	0.8	20 900	37 525	4 465	5 700	-	-	-	
-	0.8	12 445	20 235	2 422	4 750	LR 30X35X16.5	IR 30X35X17	-	35
-	0.8	17 765	31 825	3 895	4 750	LR 30X35X20.5	IR 30X35X20.5	-	
-	0.8	13 300	23 085	2 755	4 275	LR 35X40X16.5	IR 35X40X17	-	40
-	0.8	19 000	36 575	4 465	4 275	LR 35X40X20.5	IR 35X40X20.5	-	
-	0.8	20 235	40 850	5 035	3 800	LR 40X45X20.5	IR 40X45X20.5	-	45
-	0.8	29 450	59 850	7 220	3 420	LR 45X50X25.5	IR 45X50X25.5	-	50