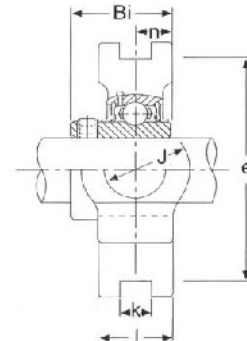
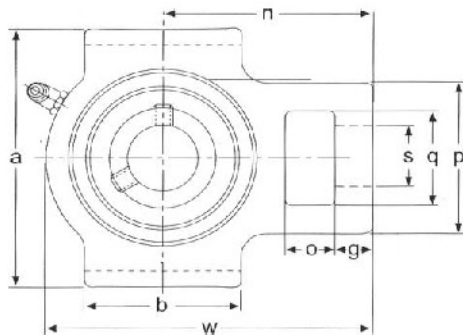




All Stainless Steel Take-Up Units

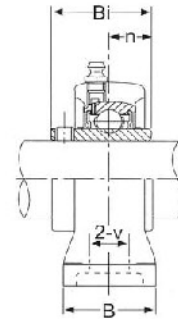
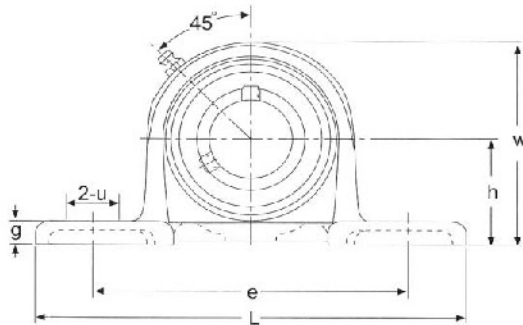


Dimension table . Dimensions in mm

Unit No.	Shaft Dia		o	g	p	q	s	b	k	e	a	w	J	l	h	Bi	n	Bolt Size mm	Bearing No.	Housing No.	Weight kg
	d (in)	d (mm)																			
MUCT 204-12 MUCT 204	3/4	20	16	10	51	32	19	51	12	76	89	94	32	21	61	31	12.7	M10	SUC 204-12 SUC 204	ST204	0.828
MUCT 205-14 MUCT 205-15 MUCT 205 MUCT 205-16	7/8 15/16 1	25	16	10	51	32	19	51	12	76	89	97	32	24	62	34	14.3	M10	SUC 205-14 SUC 205-15 SUC 205 SUC 205-16	ST205	0.892
MUCT 206-17 MUCT 206-18 MUCT 206 MUCT 206-19 MUCT 206-20	1-11/16 1-1/8 1-3/16 1-1/4	30	16	10	56	37	22	57	12	89	102	113	37	28	70	38	15.9	M14	SUC 206-17 SUC 206-18 SUC 206 SUC 206-19 SUC 206-20	ST206	1.324
MUCT 207-20 MUCT 207-21 MUCT 207-22 MUCT 207 MUCT 207-23	1-1/4 1-5/16 1-3/8 1-7/16	35	16	13	64	37	22	64	12	89	102	129	37	30	78	42	17.5	M14	SUC 207-20 SUC 207-21 SUC 207-22 SUC 207 SUC 207-23	ST207	1.772
MUCT 208-24 MUCT 208-25 MUCT 208	1-1/2 1-9/16	40	19	16	83	37	22	83	16	102	114	144	49	33	88	49	19	M14	SUC 208-24 SUC 208-25 SUC08	ST208	2.578
MUCT 209-26 MUCT 209-27 MUCT 209-28 MUCT 209	1-5/8 1-11/16 1-3/4	45	19	16	83	39	29	83	16	114	117	144	49	35	87	49	19	M14	SUC 209-26 SUC 209-27 SUC 209-28 SUC 209	ST 209	2.658
MUCT 210-30 MUCT 210-31 MUCT 210 MUCT 210-32	1-7/8 1-15/16 2	50	19	16	83	49	29	86	16	117	117	149	49	37	90	52	19	M16	SUC 210-30 SUC 210-31 SUC 210 SUC 210-32	ST210	2.765



All Stainless Steel 2-Bolt Flange Units



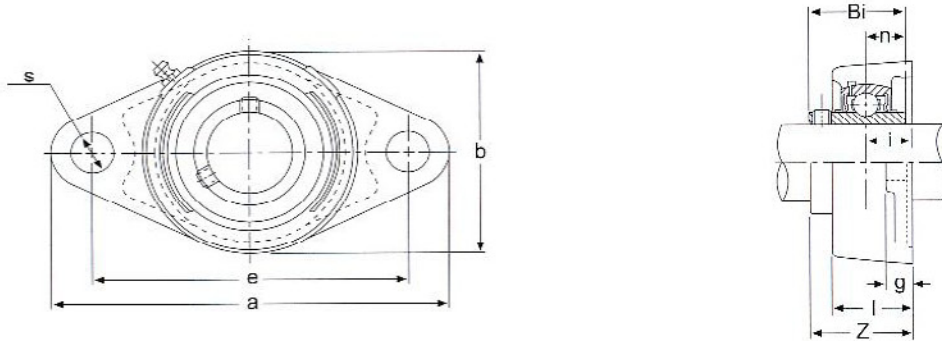
Dimension table . Dimensions in mm

Unit No.	Shaft Dia		h	L	e	B	v	u	g	w	Bi	n	Bolt Size mm	Bearing No.	Housing No.	Weight kg
	d (in)	d (mm)														
MUCP 204-12 MUCP 204	3/4	20	33.3	127	95	30	13	19	10	64	31	12.7	M10	SUC 204-12 SUC 204	SP 204	0.64
MUCP 205-14 MUCP 205-15 MUCP 205	7/8 15/16	25	36.5	140	105	30	13	19	10	70	34.1	14.3	M10	SUC 205-14 SUC 205-15 SUC 205	SP 205	0.76
MUCP 205-16	1													SUC 205-16		
MUCP 206-17 MUCP 206-18 MUCP 206	1-1/16 1-1/8	30	42.9	165	121	36	17	21	11	82	38.1	15.9	M12	SUC 206-17 SUC 206-18 SUC 206	SP 206	1.11
MUCP 206-19 MUCP 206-20	1-3/16 1-1/4													SUC 206-19 SUC 206-20		
MUCP 207-20 MUCP 207-21 MUCP 207-22 MUCP 207	1-1/4 15/16 1-3/8	35	47.6	167	127	38	17	21	12	92	42.9	17.5	M12	SUC 207-20 SUC 207-21 SUC 207-22 SUC 207	SP 207	1.49
MUCP 207-23	1-7/16													SUC 207-23		
MUCP 208-24 MUCP 208-25 MUCP 208	1-1/2 1-9/16	40	49.2	184	137	40	17	21	12	98	49.2	19	M12	SUC 208-24 SUC 208-25 SUC 208	SP 208	1.81
MUCP 209-26 MUCP 209-27 MUCP 209-28 MUCP 209	1-5/8 1-11/16 1-3/4	45	54	190	146	40	17	22	13	105	49.2	19	M12	SUC 209-26 SUC 209-27 SUC 209-28 SUC 209	SP 209	2.36
MUCP 210-30 MUCP 210-31 MUCP 210 MUCP 210-32	1-7/8 1-15/16	50	57.2	206	159	45	20	25	14	112	51.6	19	M16	SUC 210-30 SUC 210-31 SUC 210 SUC 210-32	SP 210	2.60

Note: 1) Grease fittings available at 90° and 45° positions
2) Open / Close (OC / OC) covers are optional



All Stainless Steel 2-Bolt Flange Units

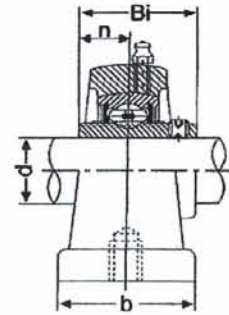
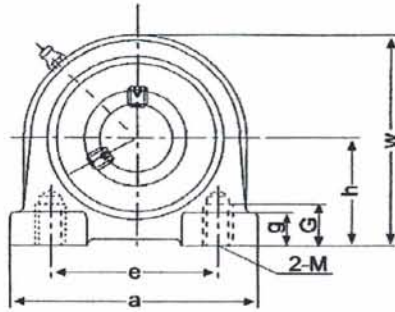


Dimension table . Dimensions in mm

Unit No.	Shaft Dia		a	e	i	g	l	s	b	z	Bi	n	Bolt Size mm	Bearing No.	Housing No.	Weight kg
	d (in)	(mm)														
MUCFL 204-12 MUCFL 204	3/4	20	113	90	15	10	27	12	60	33.3	31	12.7	M10	SUC 204-12 SUC 204	SFL 204	0.47
MUCFL 205-14 MUCFL 205-15 MUCFL 205 MUCFL 205-16	7/8 15/16	25	130	99	16	10	28	16	68	35.7	34.1	14.3	M14	SUC 205-14 SUC 205-15 SUC 205 SUC 205-16	SFL 205	0.64
MUCFL 206-17 MUCFL 206-18 MUCFL 206 MUCFL 206-19 MUCFL 206-20	1-11/16 1-1/8	30	148	117	18	10	31	16	79	40.2	38.1	15.9	M14	SUC 206-17 SUC 206-18 SUC 206 SUC 206-19 SUC 206-20	SFL 206	0.93
MUCFL 207-20 MUCFL 207-21 MUCFL 207-22 MUCFL 207 MUCFL 207-23	1-1/4 1-5/16 1-3/8	35	161	130	19	11	34	16	90	44.4	42.9	17.5	M14	SUC 207-20 SUC 207-21 SUC 207-22 SUC 207 SUC 207-23	SFL 207	1.24
MUCFL 208-24 MUCFL 208-25 MUCFL 208	1-1/2 1-9/16	40	175	144	21	15	36	16	100	51.2	49.2	19	M14	SUC 208-24 SUC 208-25 SUC 208	SFL 208	1.73
MUCFL 209-26 MUCFL 209-27 MUCFL 209-28 MUCFL 209	1-5/8 1-11/16 1-3/4	45	187	148	22	16	38	19	108	52.2	49.2	19	M16	SUC 209-26 SUC 209-27 SUC 209-28 SUC 209	SFL 209	2.03
MUCFL 210-30 MUCFL 210-31 MUCFL 210 MUCFL 210-32	1-7/8 1-15/16	50	195	157	22	16	40	19	115	54.6	51.6	19	M16	SUC 210-30 SUC 210-31 SUC 210 SUC 210-32	SFL 210	2.34



All Stainless Steel Tap Base Unit

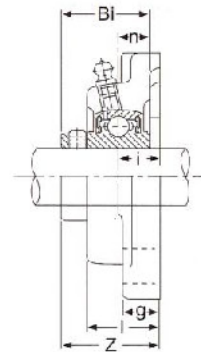
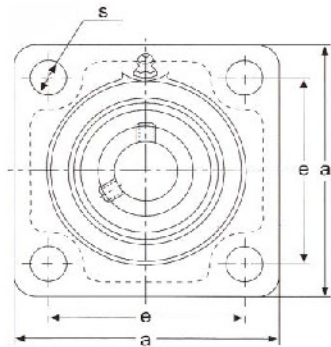


Dimension table . Dimensions in mm

Unit No.	Shaft Dia d		h	a	e	b	G	g	w	Bi	n	Bolt Size mm	Bearing No.	Housing No.	Weight kg
	(in)	(mm)													
MUCPA 204-12 MUCPA 204	3/4	20	33.3	76	52	38	13	11	62	31	12.7	M10	SUC 204-12 SUC 204	SPA 204	0.60
MUCPA 205-14 MUCPA 205-15 MUCPA 205 MUCPA 205-16	7/8 15/16 1	25	36.5	84	56	38	45	12	72	34.1	14.3	M10	SUC 205-14 SUC 205-15 SUC 205 SUC 205-16	SPA 205	0.81
MUCPA 206-17 MUCPA 206-18 MUCPA 206 MUCPA 206-19 MUCPA 206-20	1-11/16 1-1/8 1-3/16 1-1/4	30	42.9	94	66	48	18	12	84	38.1	15.9	M14	SUC 206-17 SUC 206-18 SUC 206 SUC 206-19 SUC 206-20	SPA 206	1.20
MUCPA 207-20 MUCPA 207-21 MUCPA 207-22 MUCPA 207 MUCPA 207-23	1-1/4 1-5/16 1-3/8 1-7/16	35	47.6	110	80	48	20	13	95	42.9	17.5	M14	SUC 207-20 SUC 207-21 SUC 207-22 SUC 207 SUC 207-23	SPA 207	1.70
MUCPA 208-24 MUCPA 208-25 MUCPA 208	1-1/2 1-9/16	40	49.2	116	84	54	20	13	100	49.2	19	M14	SUC 208-24 SUC 208-25 SUC 208	SPA 208	1.90
MUCPA 209-26 MUCPA 209-27 MUCPA 209-28 MUCPA 209	1-5/8 1-11/16 1-3/4	45	54.2	120	90	54	25	13	108	49.2	19	M14	SUC 209-26 SUC 209-27 SUC 209-28 SUC 209	SPA 209	2.20
MUCPA 210-30 MUCPA 210-31 MUCPA 210 MUCPA 210-32	1-7/8 1-15/16 2	50	57.2	130	94	60	25	14	116	51.6	19	M16	SUC 210-30 SUC 210-31 SUC 210 SUC 210-32	SPA 210	2.60



All Stainless Steel Square Flange Unit



Dimension table . Dimensions in mm

Unit No.	Shaft Dia		a	e	i	g	l	s	Z	Bi	n	Bolt Size mm	Bearing No.	Housing No.	Weight kg
	(in)	(mm)													
MUCF 204-12 MUCF 204	3/4	20	86	64	15	10	25.5	12	33.3	31	12.7	M10	SUC 204-12 SUC 204	SF 204	0.61
MUCF 205-14 MUCF 205-15 MUCF 205 MUCF 205-16	7/8 15/16 1	25	95	70	16	12	27	12	35.8	34.1	14.3	M10	SUC 205-14 SUC 205-15 SUC 205 SUC 205-16	SF 205	0.84
MUCF 206-17 MUCF 206-18 MUCF 206 MUCF 206-19 MUCF 206-20	1-1/16 1-1/8 1-3/16 1-1/4	30	108	83	18	13	31	12	40.2	38.1	15.9	M14	SUC 206-17 SUC 206-18 SUC 206 SUC 206-19 SUC 206-20	SF 206	1.24
MUCF 207-20 MUCF 207-21 MUCF 207-22 MUCF 207 MUCF 207-23	1-1/4 1-5/16 1-3/8 1-7/16	35	117	92	19	14	34	14	44.4	42.9	17.5	M14	SUC 207-20 SUC 207-21 SUC 207-22 SUC 207 SUC 207-23	SF 207	1.59
MUCF 208-24 MUCF 208-25 MUCF 208	1-1/2 1-9/16	40	130	102	21	15	36	16	51.2	49.2	19	M14	SUC 208-24 SUC 208-25 SUC 208	SF208	2.21
MUCF 209-26 MUCF 209-27 MUCF 209-28 MUCF 209	1-5/8 1-11/16 1-3/4	45	137	105	22	15	38	16	52.2	49.2	19	M14	SUC 209-26 SUC 209-27 SUC 209-28 SUC 209	SF 209	2.48
MUCF 210-30 MUCF 210-31 MUCF 210 MUCF 210-32	1-7/8 1-15/16 2	50	143	111	22	16	40	16	54.6	51.6	19	M16	SUC 210-30 SUC 210-31 SUC 210 SUC 210-32	SF 210	2.81
MUCF 211-32 MUCF 211-34 MUCF 211 MUCF 211-35	2 2-1/8 2-3/16	55	162	130	25	16	43	19	58.4	55.6	22.2	M16	SUC 211-32 SUC 211-34 SUC 211-34 SUC 211-35	SF211	3.26
MUCF 212-36 MUCF 212 MUCF 212-38 MUCF 212-39	2-1/4 2-3/8 2-7/16	60	175	143	29	16	48	19	68.7	65.1	25.4	M16	SUC 212-36 SUC 212 SUC 212-38 SUC 212	SF212	4.18