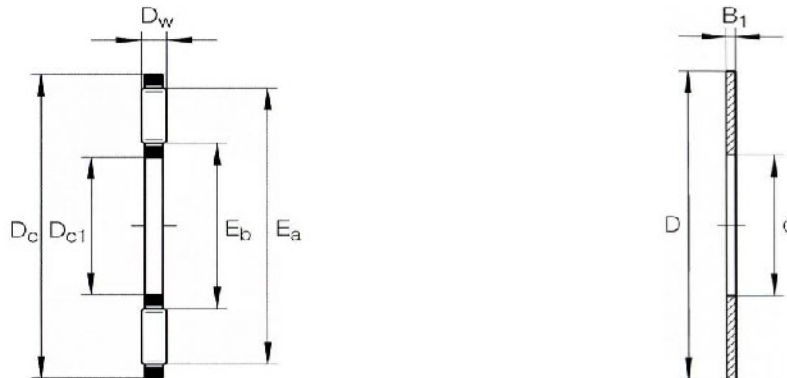




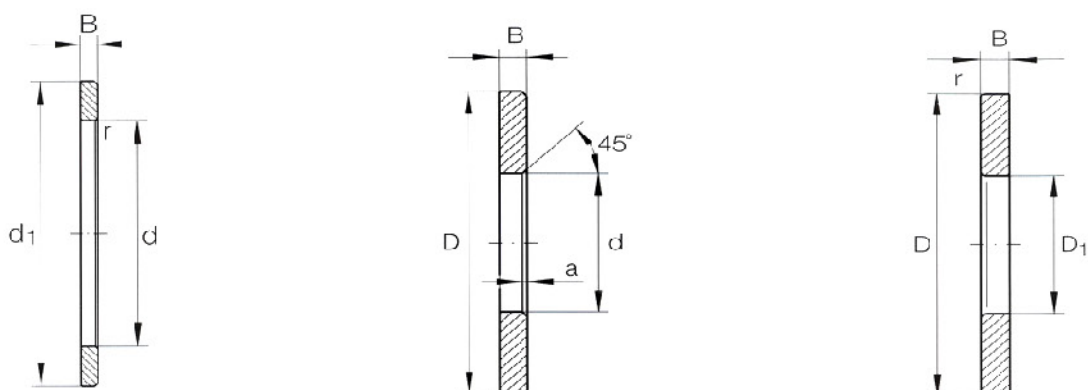
## Axial needle roller and cage assemblies, Axial bearing



**Diminision table . Dimensions in mm**

Shaft diameter	Axial needle roller and cage ass		Axial bearing washer series					
	Designation	Mass ≈ g	Bearing washer Designation	Mass ≈ g	Bearing washer Designation	Housing locating washer Designation	Shaft locating washer Designation	Mass ≈ g
4	AXK 0414 TN	0.7	AS 0414	1	-	-	-	-
5	AXK 0515 TN	0.8	AS 0515	1	-	-	-	-
6	AXK 0619 TN	1.0	AS 0619	2	LS 6019	-	-	4
8	AXK 0821 TN	2.0	AS 0821	2	LS 0821	-	-	4
10	AXK 1024	3.0	AS 1024	3	LS 1024	GS 1024	WS 1024	7
12	AXK 1226	3.0	AS 1226	3	LS 1226	GS 1226	WS 1226	8
15	AXK 1528	4.0	AS 1528	3	LS 1528	GS 81102	WS 81102	9
17	AXK 1730	4.0	AS 1730	4	LS 1730	GS 81103	WS 81103	9
20	AXK 2035	5.0	AS 2035	5	LS 2035	GS 81104	WS 81104	13
25	AXK 2542	7.0	AS 2542	7	LS 2542	GS 81105	WS 81105	19
30	AXK 3047	8.0	AS 3047	8	LS 3047	GS 81106	WS 81106	22
35	AXK 3552	10.0	AS 3552	9	LS 3552	GS 81107	WS 81107	29
40	AXK 4060	16.0	AS 4060	12	LS 4060	GS 81108	WS 81108	40
45	AXK 4565	18.0	AS 4565	13	LS 4565	GS 81109	WS 81109	50
50	AXK 5070	20.0	AS 5070	14	LS 5070	GS 81110	WS 81110	55
55	AXK 5578	28.0	AS 5578	18	LS 5578	GS 81111	WS 81111	88
60	AXK 6085	33.0	AS 6085	22	LS 6085	GS 81112	WS 81112	97
65	AXK 6590	35.0	AS 6590	24	LS 6590	GS 81113	WS 81113	115
70	AXK 7095	60.0	AS 7195	25	LS 7095	GS 81114	WS 81114	123
75	AXK 75100	61.0	AS 75100	27	LS 75100	GS 81115	WS 81115	142
80	AXK 80105	63.0	AS 80105	28	LS 80105	GS 81116	WS 81116	151
85	AXK 85110	67.0	AS 85110	29	LS 85110	GS 81117	WS 81117	159
90	AXK 90120	86.0	AS 90120	39	LS 90120	GS 81118	WS 81118	234
100	AXK 100135	104.0	AS 100135	50	LS 100135	GS 81120	WS 81120	350
110	AXK 110145	122.0	AS 110145	55	LS 110145	GS 81122	WS 81122	385
120	AXK 120155	131.0	AS 120155	59	LS 120155	GS 81124	WS 81124	415
130	AXK 130170	205.0	AS 130170	65	LS 130170	GS 81126	WS 81126	663
140	AXK 140180	219.0	AS 140180	79	LS 140180	GS 81128	WS 81128	749
150	AXK 150190	232.0	AS 150190	84	LS 150190	GS 81130	WS 81130	796
160	AXK 160200	246.0	AS 160200	89	LS 160200	GS 81132	WS 81132	842

- TN = plastic cage, permissible operating temperatures. 120oC continuously, 150oC temporarily, 180oC for short periods.
- Limiting speeds for oil lubrication if sufficient oil cooling is provided.
- For grease lubrication 25% of the values given in the table are permissible.  
higher values can be obtained with appropriate heat dissipation.



Dimension table . Dimension in mm												
Dimensions								Raceway dimensions		Basic load ratings		Limiting speed <sup>1)</sup>
Dc1 d	D <sub>1</sub>	D <sub>c</sub> D	d <sub>1</sub>	D <sub>w</sub>	B <sub>1</sub>	B	a r min	E <sub>b</sub>	E <sub>a</sub>	dyn. C N	stat. C <sub>0</sub> N	n <sub>G</sub> min <sup>-1</sup>
4	-	14	-	2	1	-	-	5	13	4 180	7 600	19 950
5	-	15	-	2	1	-	-	6	14	4 512	8 740	19 950
6	-	19	-	2	1	2.75	0.3	7	18	6 460	14 725	18 050
8	-	21	-	2	1	2.75	0.3	9	20	7 410	18 430	17 100
10	-	24	-	2	1	2.75	0.3	12	23	8 740	24 225	16 150
12	-	26	-	2	1	2.75	0.3	14	25	9 405	27 550	14 250
15	16	28	28	2	1	2.75	0.3	17	27	10 735	34 200	12 350
17	18	30	30	2	1	2.75	0.3	19	29	11 305	37 525	11 400
20	21	35	35	2	1	2.75	0.3	22	34	12 445	44 175	9 500
25	26	42	42	2	1	3	0.6	29	41	13 965	55 100	8 075
30	32	47	47	2	1	3	0.6	34	46	15 485	66 500	7 125
35	37	52	52	2	1	3.5	0.6	39	51	16 910	76 950	6 175
40	42	60	60	3	1	3.5	0.6	45	58	26 600	108 300	5 700
45	47	65	65	3	1	4	0.6	50	63	28 500	121 600	4 750
50	52	70	70	3	1	4	0.6	55	68	30 400	135 850	4 560
55	57	78	78	3	1	5	0.6	60	76	36 100	176 700	4 085
60	62	85	85	3	1	4.75	1	65	83	42 275	222 300	3 800
65	67	90	90	3	1	5.25	1	70	88	44 175	242 250	3 515
70	72	95	95	4	1	5.25	1	74	93	51 300	242 250	3 325
75	77	100	100	4	1	5.75	1	79	98	52 250	251 750	3 135
80	82	105	105	4	1	5.75	1	84	103	53 200	266 000	2 945
85	87	110	110	4	1	5.75	1	89	108	55 100	275 500	2 850
90	92	120	120	4	1	6.5	1	94	118	69 350	384 750	2 565
100	102	135	135	4	1	7	1	105	133	86 450	532 000	2 375
110	112	145	145	4	1	7	1	115	143	92 150	589 000	2 185
120	122	155	155	4	1	7	1	125	153	96 900	646 000	1 995
130	132	170	170	5	1	9	1	136	167	126 350	798 000	1 805
140	142	180	178	5	1	9.5	1	146	177	131 100	855 000	1 710
150	152	190	188	5	1	9.5	1	156	187	135 850	912 000	1 615
160	162	200	198	5	1	9.5	1	166	197	140 600	969 000	1 520