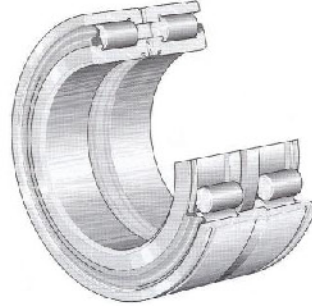




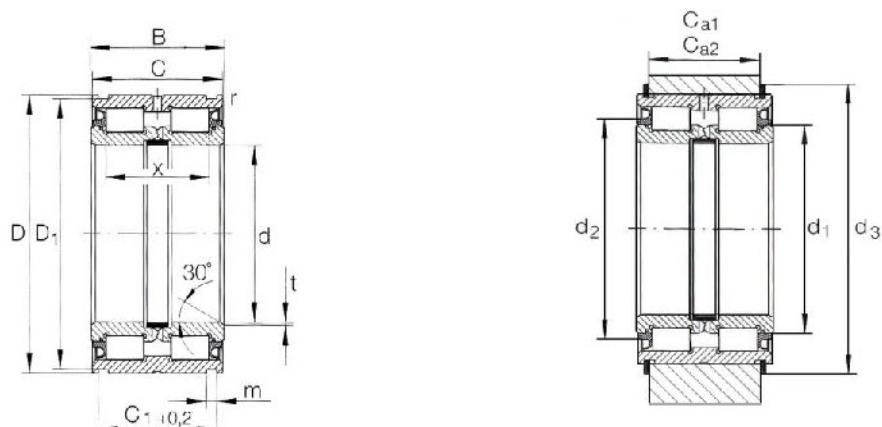
## Cylindrical roller bearings with snap ring grooves



Dimension table . Dimensions in mm

Shaft diameter	Designation	Mass ≈ kg	Dimensions									
			d	D	B	C	C1 +0,2	D1	m	r min.	t	x
20	SL04 5004 PP2NR	0.2	20	42	30	29	24.7	40.2	1.8	0.3	0.5	22.5
25	SL04 5005 PP2NR	0.24	25	47	30	29	24.7	45.2	1.8	0.3	0.5	22.5
30	SL04 5006 PP2NR	0.37	30	55	34	33	28.2	53	2.1	0.3	0.5	25.5
35	SL04 5007 PP2NR	0.48	35	62	36	35	30.2	60	2.1	0.3	0.5	27.5
40	SL04 5008 PP2NR	0.56	40	68	38	37	32.2	65.8	2.7	0.6	0.8	28.5
45	SL04 5009 PP2NR	0.7	45	75	40	39	34.2	72.8	2.7	0.6	0.8	30.5
50	SL04 5010 PP2NR	0.76	50	80	40	39	34.2	77.8	2.7	0.6	0.8	30.5
55	SL04 5011 PP2NR	1.18	55	90	46	45	40.2	87.4	3.2	0.6	1	36
60	SL04 5012 PP2NR	1.26	60	95	46	45	40.2	92.4	3.2	0.6	1	36
65	SL04 5013 PP2NR	1.33	65	100	46	45	40.2	97.4	3.2	0.6	1	36
70	SL04 5014 PP2NR	1.87	70	110	54	53	48.2	107.1	4.2	0.6	1	42
75	SL04 5015 PP2NR	1.96	75	115	54	53	48.2	112.1	4.2	0.6	1	42
80	SL04 5016 PP2NR	2.71	80	125	60	59	54.2	122.1	4.2	0.6	1.5	48
85	SL04 5017 PP2NR	2.83	85	130	60	59	54.2	127.1	4.2	0.6	1.5	48
90	SL04 5018 PP2NR	3.71	90	140	67	66	59.2	137	4.2	0.6	1.5	54
95	SL04 5019 PP2NR	3.88	95	145	67	66	59.2	142	4.2	0.6	1.5	54
100	SL04 5020 PP2NR	3.95	100	150	67	66	59.2	147	4.2	0.6	1.5	54

- Not included in delivery, snap rings WRE must be ordered separately from INK
- Retaining rings to DIN 471 are available from specialist outlets.
- For snap rings WRE.
- For retaining rings to DIN 471



**Dimension table . Dimensions in mm**

Mounting dimensions					Basic load ratings		Fatigue limit load Pu N	Limiting speed n <sub>G</sub> grease min-1	Snap ring WRE 1)	Retaining ring DIN471 1)	Shaft diameter
C <sub>a1</sub> 2)	C <sub>a2</sub> 3)	d <sub>1</sub>	d <sub>2</sub>	d <sub>3</sub> 2)	dyn. C N	stat. C <sub>0</sub> N					
-0.2	-0.2										
21.5	21	31	34	47	38 475	46 550	6 840	3 800	WRE 42	42X1.75	20
21.5	21	35.5	39	52	42 275	55 100	7 505	3 420	WRE 47	47X1.75	25
25	24	41	44	60	47 500	63 650	8 740	2 850	WRE 55	55X2	30
27	26	46.5	50	67	59 850	83 600	11 210	2 470	WRE 62	62X2	35
28	27	51.5	55	75	72 200	97 850	13 965	2 280	WRE 68	68X2.5	40
30	29	57.5	61	82	87 400	123 500	17 195	2 090	WRE 75	75X2.5	45
30	29	62	66	87	92 150	134 900	18 810	1 900	WRE 80	80X2.5	50
35	34	69	73	99	109 250	166 250	22 800	1 710	WRE 90	90X3	60
35	34	74	79	104	114 000	179 550	24 700	1 615	WRE 95	95X3	65
35	34	79	84	109	118 750	192 850	26 600	1 520	WRE 100	100X3	65
43	40	85	91	119	159 600	251 750	33 250	1 330	WRE 110	110X4	70
43	40	90	97	124	184 300	285 000	37 525	1 330	WRE 115	115X4	75
49	46	97.5	105	137	192 850	308 750	40 375	1 235	WRE 125	125X4	80
49	46	104.5	112	142	200 450	332 500	42 750	1 140	WRE 130	130X4	85
54	51	109.5	118	152	289 750	484 500	58 900	1 045	WRE 140	140X4	90
54	51	114	122	157	299 250	503 500	60 800	1 045	WRE 145	145X4	95
54	51	118	128	162	313 500	522 500	62 700	950	WRE 150	150X4	100



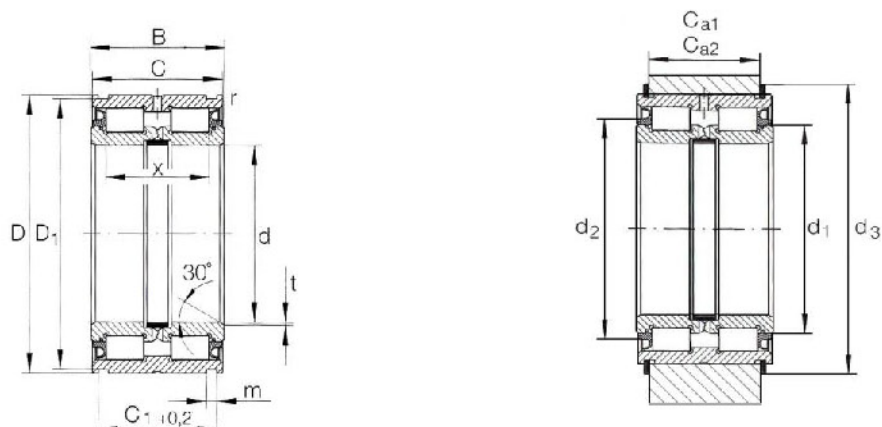
## Cylindrical roller bearings with snap ring grooves



Dimension table . Dimensions in mm

Shaft diameter	Designation	Mass ≈ kg	Dimensions									
			d	D	B	C	C1 +0,2	D1	m	r min.	t	x
110	SL04 5022 PP2NR	6.57	110	170	80	79	70.2	167	4.2	0.6	1.8	64
120	SL04 5024 PP2NR	7.04	120	180	80	79	71.2	176	4.2	0.6	1.8	64
130	SL04 5026 PP2NR	10.5	130	200	95	94	83.2	196	4.2	0.6	1.8	77
140	SL04 5028 PP2NR	11.1	140	210	95	94	83.2	206	5.2	0.6	1.8	77
150	SL04 5030 PP2NR	13.3	150	225	100	99	87.2	221	5.2	0.6	2	80
160	SL04 5032 PP2NR	16.6	160	240	109	108	95.2	236	5.2	0.6	2	89
170	SL04 5034 PP2NR	22.6	170	260	122	121	107.2	254	5.2	0.6	2	100
180	SL04 5036 PP2NR	30.1	180	280	136	135	118.2	274	5.2	0.6	2	112
190	SL04 5038 PP2NR	31.5	190	290	136	135	118.2	284	5.2	0.6	2	112
200	SL04 5040 PP2NR	40.8	200	310	150	149	128.2	304	6.3	0.6	2	126
220	SL04 5044 PP2NR	52.5	220	340	160	159	138.2	334	6.3	1	2	132
240	SL04 5048 PP2NR	56.0	240	360	160	159	138.2	354	6.3	1	2	132
260	SL04 5052 PP2NR	84.5	260	400	190	189	162.2	394	6.3	1.1	3	150
280	SL04 5056 PP2NR	90	280	420	190	189	163.2	413	7.3	1.1	3	150
300	SL04 5060 PP2NR	126	300	460	218	216	185.2	453	7.3	1.1	3	170

- Not included in delivery, snap rings WRE must be ordered separately from INK Retaining rings to DIN 471 are available from specialist outlets.
- For snap rings WRE.
- For retaining rings to DIN 471



**Dimension table . Dimensions in mm**

Mounting dimensions					Basic load ratings		Fatigue limit load Pu N	Limiting speed n <sub>G</sub> grease min-1	Snap ring WRE 1)	Retaining ring DIN471 1)	Shaft diameter
C <sub>a1</sub> 2)	C <sub>a2</sub> 3)	d <sub>1</sub>	d <sub>2</sub>	d <sub>3</sub> 2)	dyn. C N	stat. C <sub>0</sub> N					
-0.2	-0.2										
65	62	132	143	182	375 250	646 000	74 100	855	WRE 170	170X4	110
65	63	141.5	153	196	389 500	703 000	78 850	855	WRE 180	180X4	120
77	75	157	170	216	513 000	912 000	99 750	760	WRE 200	200X4	130
77	73	166	181	226	579 500	1 045 000	112 100	712	WRE 210	210X5	140
81	77	176	192	245	674 500	1 197 000	124 450	665	WRE 225	225X5	150
89	85	189.5	207	260	703 000	1 292 000	133 000	617	WRE 240	240X5	160
99	97	201	220	282	912 000	1 662 500	165 300	570	WRE 260	260X5	170
110	108	218.0	239	302	1 083 000	2 023 500	194 750	522	WRE 280	280X5	180
110	108	226	248	312	1 102 000	2 099 000	200 450	522	WRE 290	290X5	190
120	116	243.5	267	336	1 282 000	2 470 000	232 750	475	WRE 310	310X6	200
130	126	260.5	288	366	1 491 000	2 897 000	266 000	456	WRE 340	340X6	220
130	126	279.5	305	386	1 548 000	3 135 000	280 250	418	WRE 360	360X6	240
154	150	305.5	336	426	2 261 000	4 465 000	384 750	380	WRE 400	400X6	260
154	149	321.5	354	453	2 470 000	4 940 000	418 000	361	WRE 420	420X7	280
176	171	347.5	375	493	2 850 000	5 510 000	456 000	323	WRE 460	460X7	300