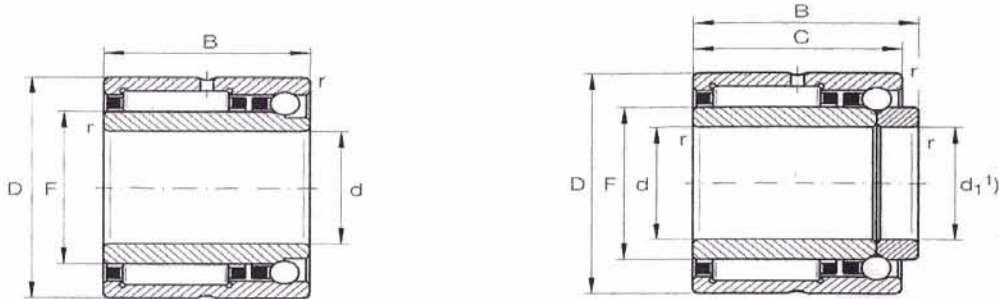




Needle roller/angular contact ball bearing

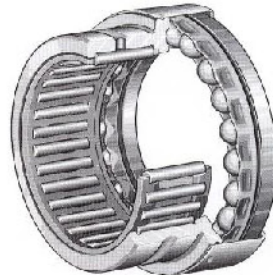
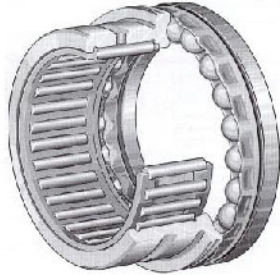


Dimension table . Dimensions in mm

Outside diameter	Designation	Mass g	Dimensions						Basic load rating				Fatigue load)		Limiting speed) n min
			d	F	D	B	C	r min	radial		axial		radial P N	axial P N	
									dyn. C N	stat. C N	dyn. C N	stat. C N			
12	NKIA 5901	40	12	16	24	16	-	0.3	7 220	7 885	2 565	3 277	1 130	122	22 800
	NKIB 5901	43	12	16	24	17.5	16	0.3	7 220	7 885	2 565	3 277	1 130	121	22 800
15	NKIA 5902	50	15	20	28	18	-	0.3	10 070	12 920	2 755	3 990	1 748	148	20 900
	NKIB 5902	52	15	20	28	20	18	0.3	10 070	12 920	2 755	3 990	1 748	148	20 900
17	NKIA 5903	56	17	22	30	18	-	0.3	10 450	13 870	2 992	4 655	1 871	171	19 950
	NKIB 5903	58	17	22	30	20	18	0.3	10 450	13 870	2 992	4 655	1 871	171	19 950
20	NKIA 5904	103	20	25	37	23	-	0.3	19 950	24 225	4 655	7 030	3 182	261	16 150
	NKIB 5904	107	20	25	37	25	23	0.3	19 950	24 225	4 655	7 030	3 182	261	16 150
22	NKIA 59/22	118	22	28	39	23	-	0.3	21 660	28 025	5 035	8 170	3 657	304	15 200
	NKIB 59/22	122	22	28	39	25	23	0.3	21 660	28 025	5 035	8 170	3 657	304	15 200
25	NKIA 5905	130	25	30	42	23	-	0.3	22 420	29 925	5 130	8 835	3 895	327	14 250
	NKIB 5905	134	25	30	42	25	23	0.3	22 420	29 925	5 130	8 835	3 895	327	14 250
30	NKIA 5906	147	30	35	47	23	-	0.3	23 750	33 725	5 605	10 640	4 417	394	12 350
	NKIB 5906	151	30	35	47	25	23	0.3	23 750	33 725	5 605	10 640	4 417	394	12 350
35	NKIA 5907	243	35	42	55	27	-	0.6	29 925	47 500	7 030	14 155	6 460	522	10 450
	NKIB 5907	247	35	42	55	30	27	0.6	29 925	47 500	7 030	14 155	6 460	522	10 450
40	NKIA 5908	315	40	48	62	30	-	0.6	40 850	63 650	8 740	18 430	8 075	684	9 025
	NKIB 5908	320	40	48	62	34	30	0.6	40 850	63 650	8 740	18 430	8 075	684	9 025
45	NKIA 5909	375	45	52	68	30	-	0.6	42 750	69 350	9 120	20 330	8 930	750	8 075
	NKIB 5909	380	45	52	68	34	30	0.6	42 750	69 350	9 120	20 330	8 930	750	8 075
50	NKIA 5910	380	50	58	72	30	-	0.6	44 650	76 000	9 595	23 085	9 690	855	7 600
	NKIB 5910	385	50	58	72	34	30	0.6	44 650	76 000	9 595	23 085	9 690	855	7 600



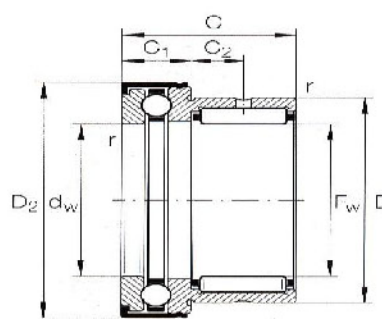
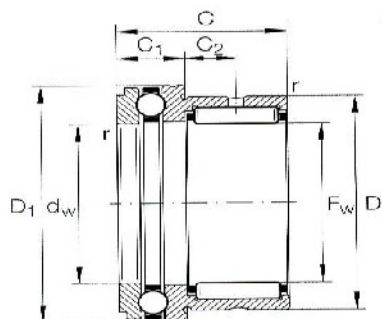
Needle roller/axial ball bearings



Dimension table . Dimensions in mm

Shaft diameter	Designation without retaining cap	Mass g	Designation retaining cap	Mass g	Dimensions								
					Fw	D	D ₁	D ₂	C -0.25	C ₁ -0.2	C ₂	d _w E8	r _s min
10	NKX 10	34	NKX 10 Z	36	10	19	24	25.2	23	9	6.5	10	0.3
12	NKX 12	38	NKX 12 Z	40	12	21	26	27.2	23	9	6.5	12	0.3
15	NKX 15	44	NKX 15 Z	47	15	24	28	29.2	23	9	6.5	15	0.3
17	NKX 17	53	NKX 17 Z	55	17	26	30	31.2	25	9	8	17	0.3
20	NKX 20	83	NKX 20 Z	90	20	30	35	36.2	30	10	10.5	20	0.3
25	NKX 25	125	NKX 25 Z	132	25	37	42	43.2	30	11	9.5	25	0.6
30	NKX 30	141	NKX 30 Z	148	30	42	47	48.2	30	11	9.5	30	0.6
35	NKX 35	163	NKX 35 Z	168	35	47	52	53.2	30	12	9	35	0.6
40	NKX 40	200	NKX 40 Z	208	40	52	60	61.2	32	13	10	40	0.6
45	NKX 45	252	NKX 45 Z	265	45	58	65	66.5	32	14	9	45	0.6
50	NKX 50	280	NKX 50 Z	300	50	62	70	71.5	35	14	10	50	0.6
60	NKX 60	360	NKX 60 Z	380	60	72	85	86.5	40	17	12	60	1
70	NKX 70	500	NKX 70 Z	520	70	85	95	96.5	40	18	11	70	1

- Minimum axial load $F_a=1\%$ to 2% of C (axial)
- With grease lubrication, 60% of the values given in the tables are permissible.



Dimension table . Dimensions in mm

Basic load ratings				Limiting speed ² n_G min^{-1}	Mounting dimensions		Recommended inner ring ³ Designation	shaft diameter
radial		axial			d_a	r_a max		
dyn C N	stat C0 N	dyn C N	stat C0 N					
5 890	7 410	10 000	12 100	11 400	19.7	0.3	IRT 7X10X16	10
8 550	10 450	10 300	13 300	10 450	21.7	0.3	IRT 9X12X16	12
10 165	12 065	10 500	14 500	9 025	23.7	0.3	IRT 12X15X16	15
11 305	14 250	10 800	15 700	8 075	25.7	0.3	IRT 14X17X17	17
15 580	22 610	14 300	21 400	7 125	30.7	0.3	IRT 17X20X20	20
17 860	28 975	19 600	32 000	5 700	37.7	0.6	IRT 20X25X20	25
21 470	34 200	20 400	36 500	4 750	42.7	0.6	IRT 25X30X20	30
23 085	39 425	21 200	41 000	4 370	47.7	0.6	IRT 30X35X20	35
24 700	44 650	27 000	54 000	3 800	55.7	0.6	IRT 35X40X20	40
26 125	50 350	28 000	60 000	3 420	60.5	0.6	IRT 40X45X20	45
36 100	70 300	29 000	65 000	3 135	65.5	0.6	IRT 45X50X25	50
39 900	85 500	41 500	97 000	2 660	80.5	1.0	IRT 50X60X25	60
42 275	87 400	43 000	110 000	2 280	90.5	1.0	IRT 60X70X25	70